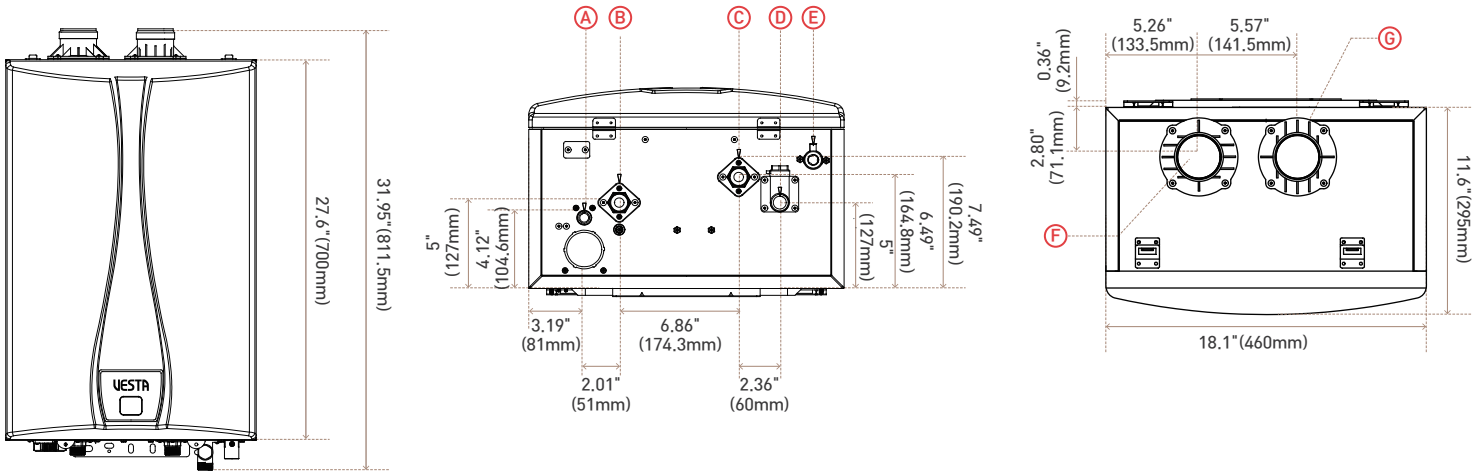


Wine Revolution VRP Series

Tankless condensing Gas Water heater

[Specification Sheet]

Dimensions



	A	B	C	D	E	F	G
Description	Condensate drain	Hot water outlet	Recirculation inlet	Cold water inlet	Gas inlet	Exhaust	Intake
Diameter	1/2"	3/4"	3/4"	3/4"	3/4"	2"	2"

Specification Sheet

MODEL		VRP-150	VRP-199
Heat Capacity (Input)	Natural Gas / Propane	19,900 - 150,000 BTU/H	19,900 - 199,000 BTU/H
Energy Factor	Natural Gas (Propane)	0.96 (0.96)	0.96 (0.96)
Flow Rate (DHW)	35 °F (19 °C) Temp Rise	8.4 GPM (32 LPM)	11.2 GPM (42 LPM)
	45 °F (25 °C) Temp Rise	6.5 GPM (25 LPM)	8.7 GPM (33 LPM)
	70 °F (38 °C) Temp Rise	4.2 GPM (16 LPM)	5.5 GPM (21 LPM)
Dimension (W x H x D)		18.1" x 27.6" x 11.6" (460 mm x 700 mm x 295 mm)	
Weight		75 lbs (34 kg)	
Installation		Indoor wall-hung	
Venting Type		Forced draft direct vent	
Ignition		Electronic ignition	
Water Pressure		15 psi ~ 150 psi	
Supply Pressure	Nature Gas	3.5" ~ 10.5" WC	
	Propane	8" ~ 13" WC	
Manifold Pressure	Nature Gas (Min.-Max.)	0.01" WC ~ -0.35" WC	0.01" WC ~ -0.59" WC
	Propane (Min.-Max.)	0.01" WC ~ -0.30" WC	0.01" WC ~ -0.56" WC
Minimum Flow Rate		< 0.01 GPM (0.04 LPM)	
Temperature Range		98 °F - 140 °F (37 °C - 60 °C) / up to 180 °F (82 °C) for commercial	
Ultra Low NOx		Yes	
Connection Sizes	Cold water inlet	3/4" NPT	
	Hot water outlet	3/4" NPT	
	Recirculation Water inlet	3/4" NPT	
	Gas inlet	3/4" NPT	
	Condensate Drain	1/2" NPT	
Power Supply	Main supply	120 V AC, 60 Hz / use less than 5 amp	
	Maximum Power Consumption	135W	165W
Materials	Heat Exchanger	Primary Heat Exchanger : Stainless steel	
		Secondary Heat Exchanger : Stainless steel	
Venting	Exhaust	2" or 3" PVC, CPVC, Polypropylene	
		2" or 3" Special gas vent type BH (Class II, A/B/C)	
	Intake	2" or 3" PVC, CPVC, Polypropylene	
		2" or 3" Special gas vent type BH (Class II, A/B/C)	
	Vent Clearances		0" to combustibles
Length	2"	60 ft (18.3 m)	
	3"	150 ft (45.7 m)	
Safety devices		Flame rod, APS, Over heat preventer Exhaust temperature high limit sensor, Power surge fuse	